

# Plantation 4lt Pentant Polished Antique Nickel



**Stock Code:** HK/PLANT4/P PL

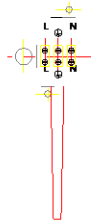
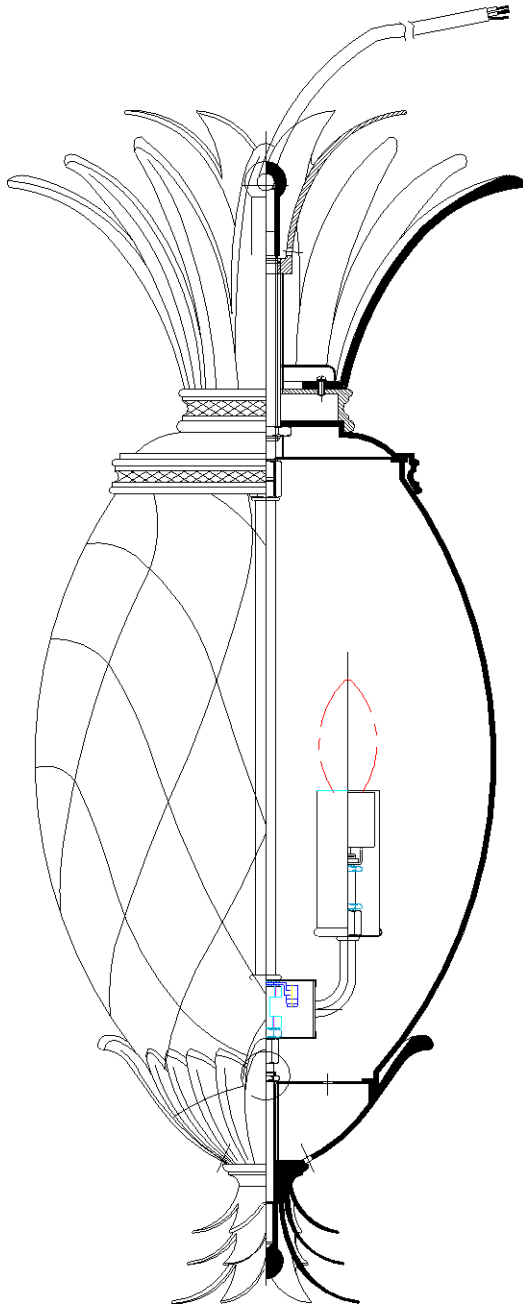
4LT CHANDELIER

## Product Description

Plantation 2222PL. 4 lt indoor lantern with a pineapple shaped glass Polished Antique Nickel decorative finish. Suitable in a sheltered but damp location. A Hinkley classic, the ornate Plantation collection features exceptional pineapple shaped clear optic glass that makes a noble statement. The Polished Antique Nickel finish has matching candle sleeves and elaborate decorative cast detailing.

## Product Attributes

- Weight: 18.0 kg
- Fitting Height: 780mm
- Chain or Extension rods: Supplied with 1525mm of chain.
- Width/Diameter: 318mm
- Min Drop: 840mm
- Max Drop: 2365mm
- Finish: Polished Antique Nickel
- Build Materials: Metal, Clear Optic Glass, Fabric
- Max Wattage: 4 x 40W E14
- Voltage: 220-240v 50hz
- Number of lamps: Four
- Bulb Included: No
- Class I/II: Class I
- Product Type: Ceiling Pendant
- Box Dimensions: 38x74x53cm
- Barcode: EAN 5024005588900
- Family: Plantation



220 - 240v Class I 

