

Manhattan Pedestal



Stock Code: HK/MANHATTAN3/M

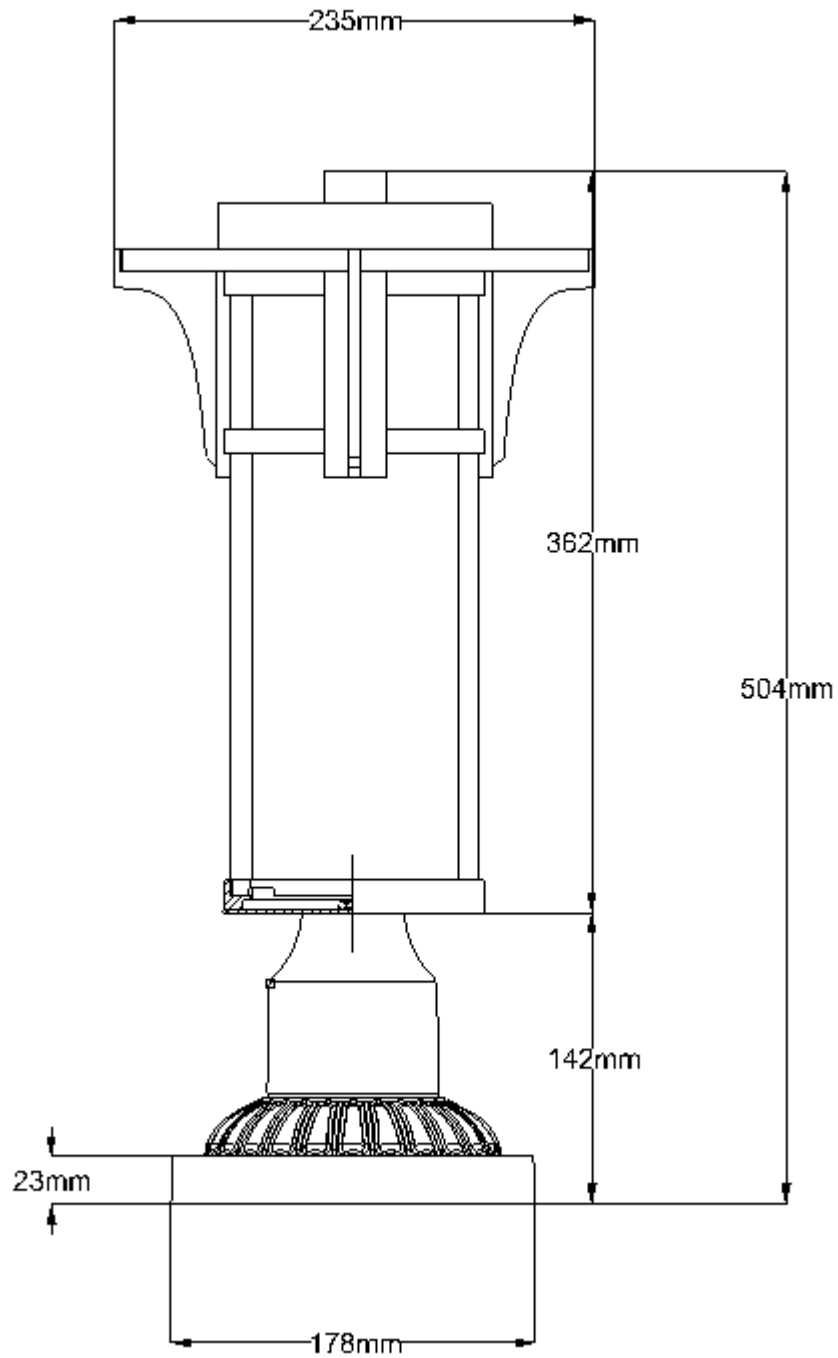
Pedestal

Product Description

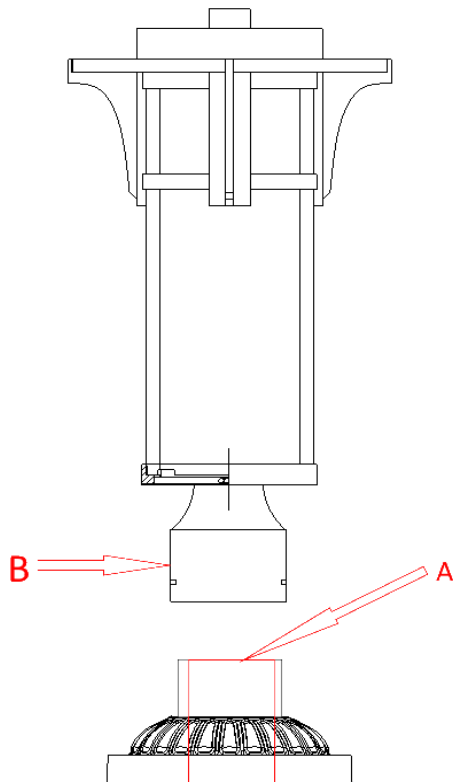
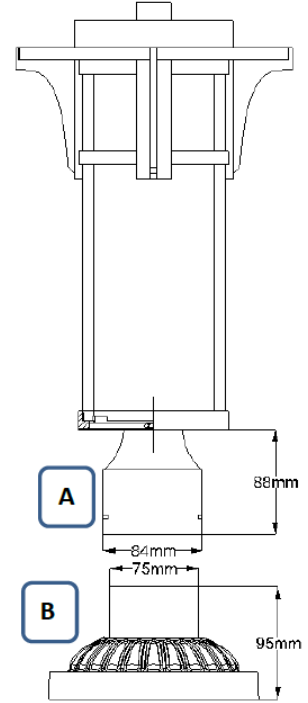
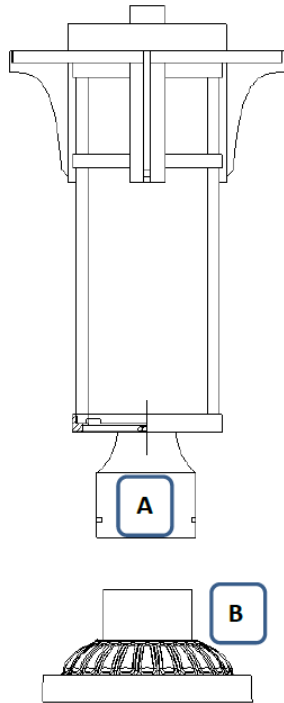
Manhattan is a classic update to the traditional train station lantern. The hand-painted Oil Rubbed Bronze finish complements the clean lines of its durable die cast construction.

Product Attributes

- Weight: 4.5 kg
- Fitting Height: 504mm
- Width/Diameter: 235mm
- Base Plate Width: 150mm
- Finish: Oil Rubbed Bronze
- Build Materials: Die-cast Metal, Clear Glass
- Max Wattage: 1 x 100W E27
- Voltage: 220-240v 50hz
- Number of lamps: One
- Bulb Included: No
- IP Rating: IP44
- Class I/II: Class I
- Product Type: Pedestal Lantern
- Box Dimensions: 30x30x57cm
- Barcode: EAN 5024005242512
- Anti-corrosion guarantee: 3 years
- Family: Manhattan



The bottom stem (labelled B) separates from the main lamp (labelled A) for mounting and electrical connection



THERE IS ABOUT 70mm HOLE ON THE BASE STEM (ARROWED A AND MARKED RED) WHICH IS THE CABLE ENTRY AND THE IP BOX SITS IN THE AREA MARKED B TO BE CONNECTED TO COMPLETE THE CIRCUIT.