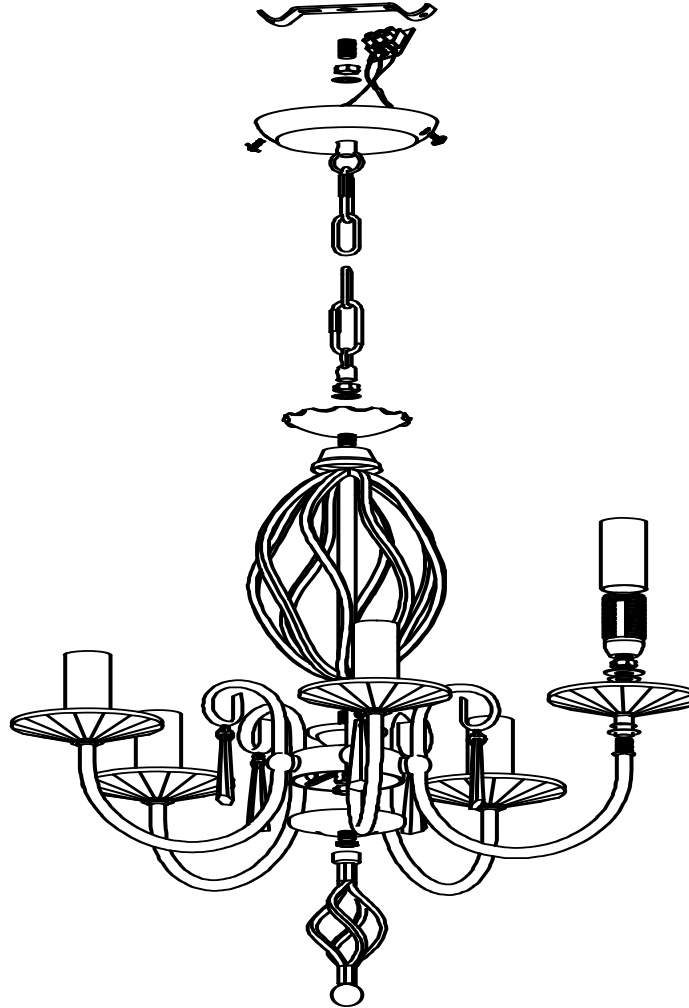
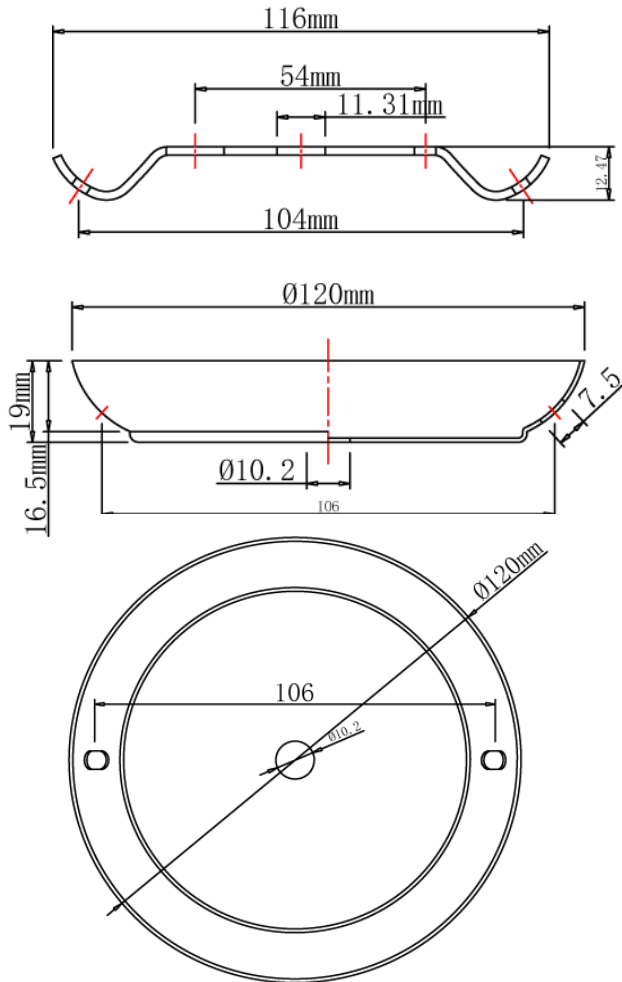


ASSEMBLY INSTRUCTION SHEET

Type	8lt Chandelier
Finish	Aged Bronze Polished Brass Polished Nickel

RANGE:- ELSTEAD COLLECTION

STYLE:- AEGEAN



ITEM No.	IP Rating	Height (mm)	Width / Dia (mm)	Min Drop (mm)	Max Drop (mm)	Projection (mm)	Class	Voltage	Wattage	Lamp Type	No. of Lamps
AG8 AG PB PN	N/A	460	650	550	1810	N/A	1	240	60	E14	8