

English Bridle 3lt Medium Pillar Lantern Black



Stock Code: FE/EB4/M BLK

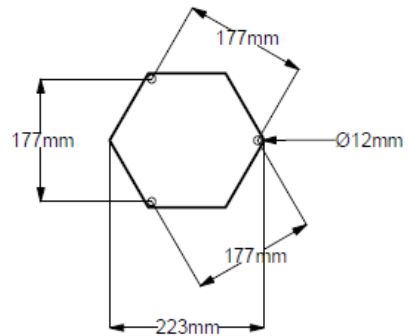
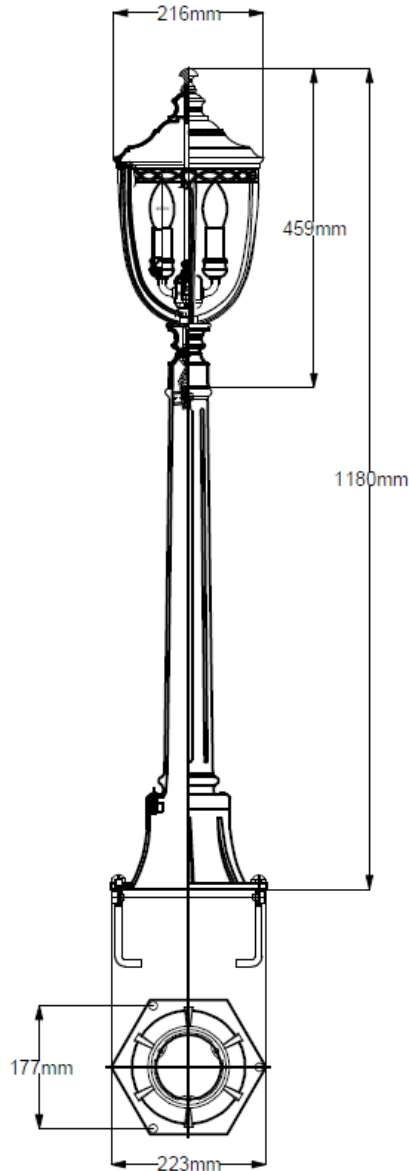
3LT MEDIUM PILLAR LANTERN

Product Description

This collection of lanterns reflects the English countryside charm combined with the graces of a stately manor. Clear seeded glass combines a clean look with old-world charm.

Product Attributes

- Weight: 5.5 kg
- Fitting Height: 1180mm
- Width/Diameter: 216mm
- Base Plate Width: 220mm
- Finish: Black
- Build Materials: Metal, Seeded Glass
- Max Wattage: 3 x 60W E14
- Voltage: 220-240v 50hz
- Number of lamps: Three
- Bulb Included: No
- IP Rating: IP44
- Class I/II: Class I
- Product Type: Pillar Lantern
- Box Dimensions: 72x41x31cm
- Barcode: EAN 5024005344506
- Anti-corrosion guarantee: 3 years
- Family: English Bridle



This luminaire is compatible with bulbs of the energy classes:

