

Brinley 1lt Wall Light



Stock Code: KL/BRINLEY1

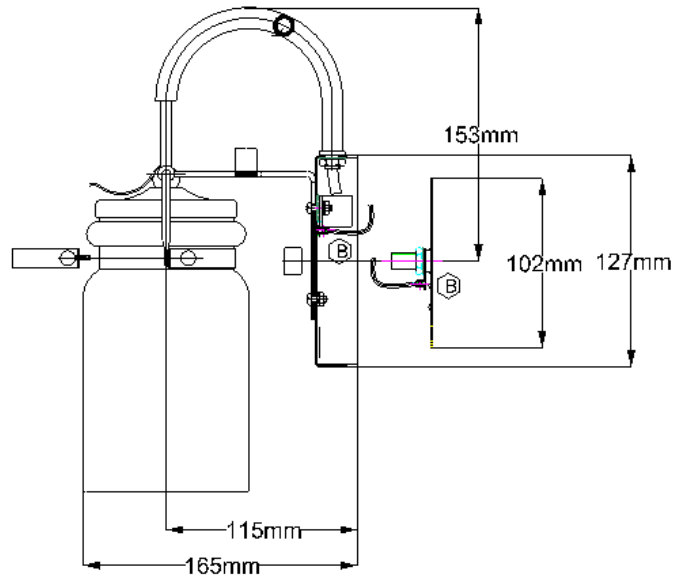
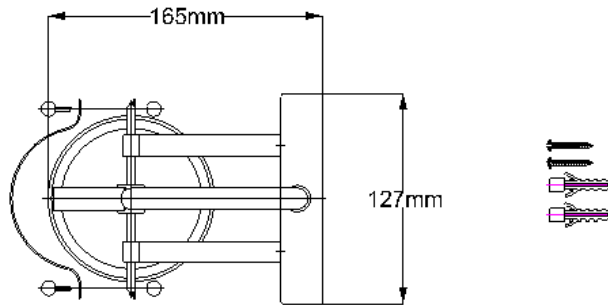
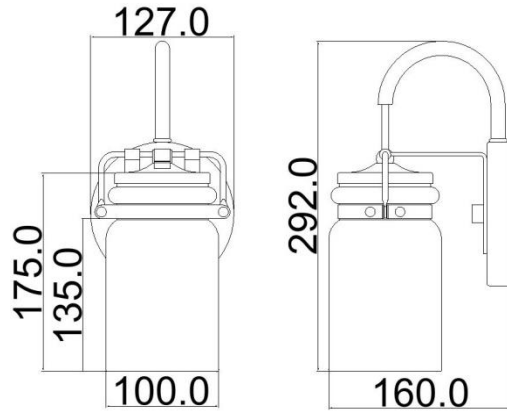
1lt Wall Light


Product Description

The vintage style of the Brinley collection gives a beautifully modern treatment to the familiarity and comfort of canning jars. Used in groups or stand-alone, the Brinley collection is a new touch of home in Olde Bronze.

Product Attributes

- Weight: 1.8 kg
- Fitting Height: 292mm
- Width/Diameter: 127mm
- Projection: 159mm
- Finish: Olde Bronze
- Build Materials: Metal, Glass
- Max Wattage: 1 x 60W E27
- Voltage: 220-240v 50hz
- Number of lamps: One
- Bulb Included: No
- Class I/II: Class I
- Product Type: Wall Light
- Box Dimensions: 22x19.5x41cm
- Barcode: EAN 5024005231516
- Family: Brinley





This luminaire is compatible with bulbs of the energy classes:

A⁺⁺

A⁺


A


B


C

D

E





 Elstead LIGHTING | IKL/BRINLEY1

874/2012