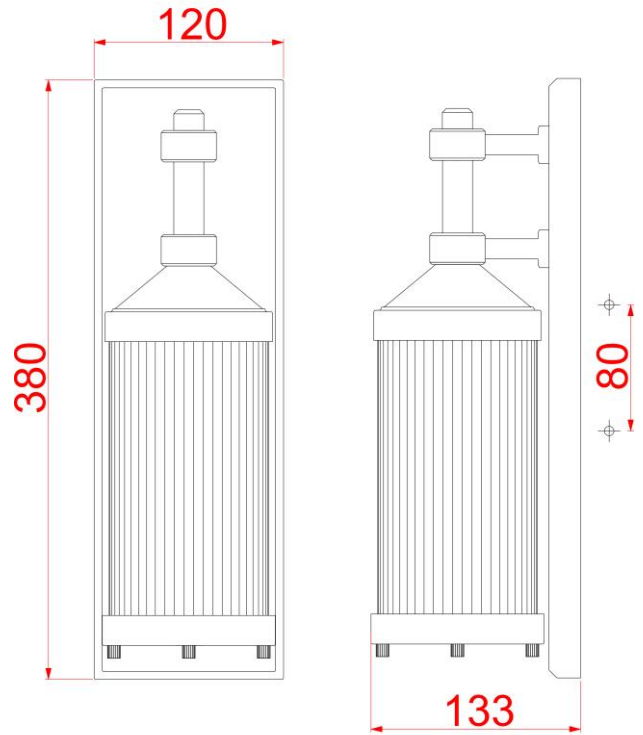


BRAND: Paulson
STYLE: Ilt wall light


1. Item Code	FE/PAULSON I	23. Shade Width (mm)	-
2. Category	Indoor	24. Shade Height (mm)	-
3. Type	Ilt wall light	25. Shade Depth (mm)	-
4. Finish	Chrome	26. Size of Back-Plate/Ceiling Rose (mm)	120 x 380
5. IP Rating	44	27. Main Material	Steel & glass
6. Class	I	28. Power Cable Core and Colour	Separate live and neutral
7. Voltage	240	29. Power Cable Length (mm)	203 (from back plate)
8. Wattage (1)	1 x max 3.5w	30. Chain Length (mm)	-
9. Wattage (2)	-	31. Rod Length (mm)	-
10. Lamp Holder Type (1)	1 x G9	32. PIR	-
11. Lamp Holder Type (2)	-	33. Switch Type and location	-
12. No. of Lamps	1	34. Connection Method	Terminal block (IP44 box)
13. Lamp Supplied	Yes	35. Plug Type and Colour	-
14. Dimmable?	Not with lamp supplied	36. Earth arrangement	Earth tag inside back plate
15. Lumen Output & Colour Temp	-	37. Product Weight (kg)	2.4
16. Overall Width/Diameter (mm)	120	38. Carton Dimensions (mm)	483 x 216 x 229
17. Fitting Height (mm)	380	39. Gross Weight (kg)	3
18. Overall Depth (mm)	133	40. Notes 1	-
19. Minimum Drop	-	41. Notes 2	-
20. Maximum Drop	-		
21. Adjustable?	No		
22. Shade/Glass Material	Clear glass rods		

