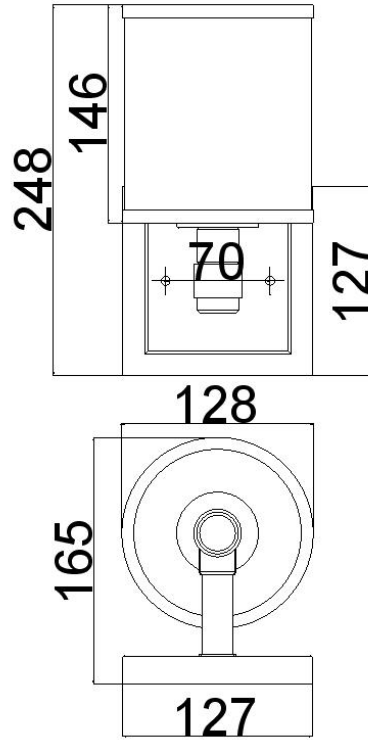


BRAND: Prospect Park
STYLE: 1Lt Wall Light


1. Item Code	FE/PROSPECTPK I	23. Maximum Drop	N/a
2. Drawing No.	FE VS23301 Prospectpk I	24. Adjustable?	No
3. Tested?	No	25. Shade/Glass Material	White Opal Etch Glass
4. Final Sign-off Sample Done?	No	26. Shade Width (mm)	124
5. Category	Indoors	27. Shade Height (mm)	144
6. Type	Wall Light	28. Shade Depth (mm)	124
7. Finish	Satin Nickel/ Chrome	29. Size of Back-Plate/Ceiling Rose (mm)	127 x 127
8. IP Rating	N/a	30. Main Material	Steel
9. Class	I	31. Power Cable Colour	N/a
10. Voltage	240v	32. Power Cable Length (mm)	203
11. Wattage (1)	1 x Max 60w	33. Chain Length (mm)	N/a
12. Wattage (2)	N/a	34. Rod Length (mm)	N/a
13. Lamp Holder Type (1)	1 x E27	35. PIR	No
14. Lamp Holder Type (2)	N/a	36. Switch Type and location	N/a
15. No. of Lamps	1	37. Connection Method	Terminal Block
16. Lamp Supplied	No	38. Plug Type	N/a
17. Dimmable?	Dependent on Lamp	39. Plug Colour	N/a
18. Lumen Output & Colour Temp	N/a	40. Product Weight (kg)	1.32
19. Overall Width/Diameter (mm)	128	41. Carton Dimensions (mm)	330 x 234 x 203
20. Overall Height (mm)	248	42. Carton Weight (kg)	1.72
21. Overall Depth (mm)	165	43. Notes 1	
22. Minimum Drop	N/a	44. Notes 2	