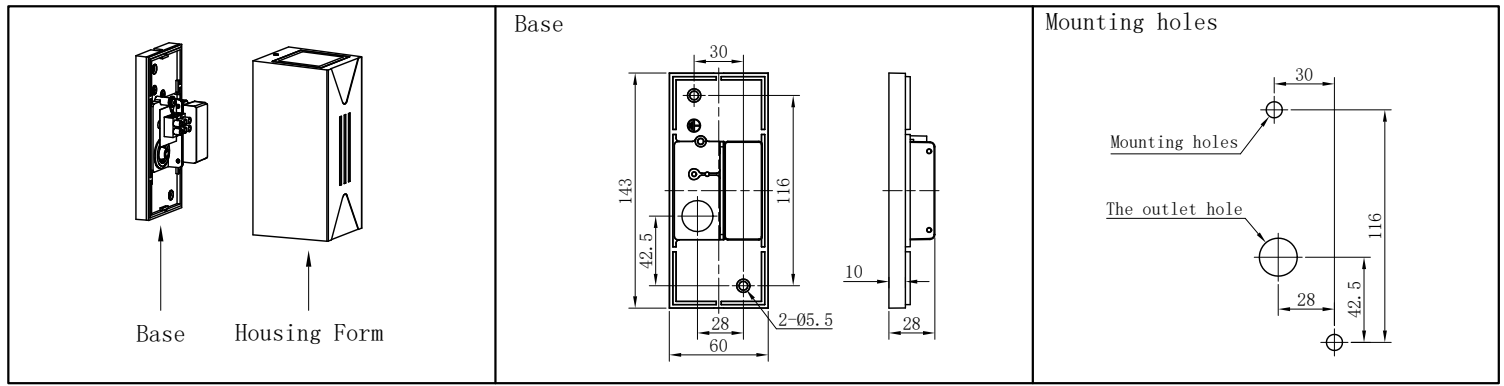
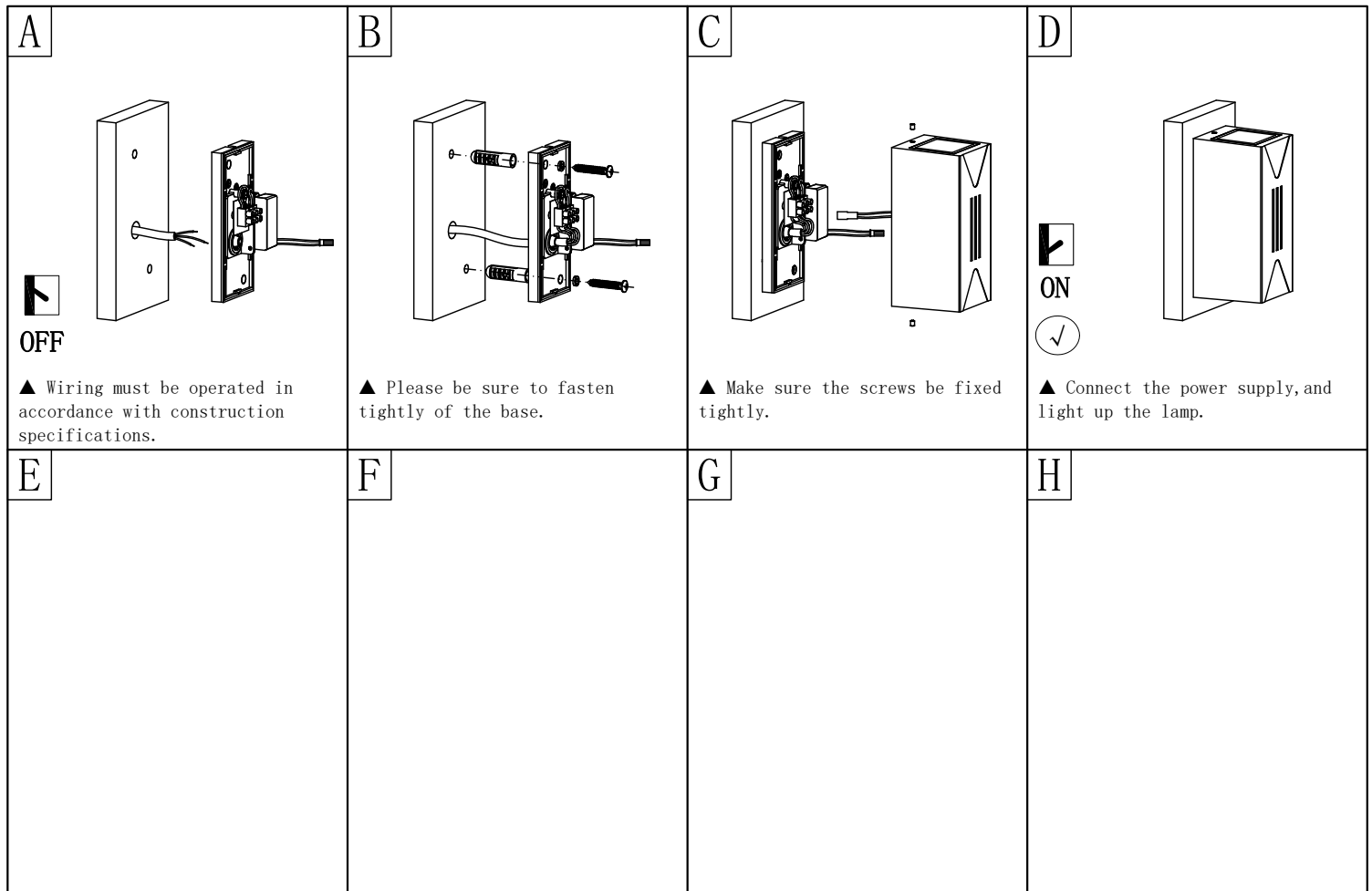


Mounting Instruction

Components and Tools



Installation Steps



Notes:

1. Read this manual of instructions carefully before installation and keep it for future reference;
2. The lamps should be installed or repaired by professional electricians;
3. Please place the waterproof rubber correctly, otherwise it will be invalid for our guarantee;
4. The light source of this lamp should be replaced by the manufacturer or its service agent or a similarly qualified person;
5. If the external flexible cord of this lamp is damaged, for the sake of avoiding hazard the cord should be replaced by the manufacturer or its service agent or a similarly qualified person;
6. Check the power switch has been turned off before install or repair the lamp.