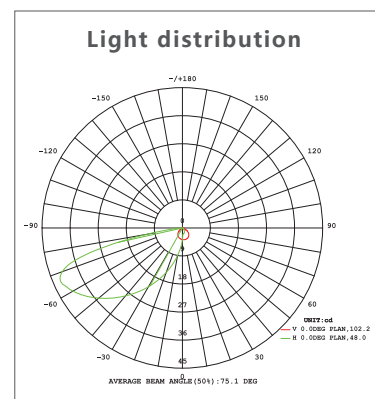
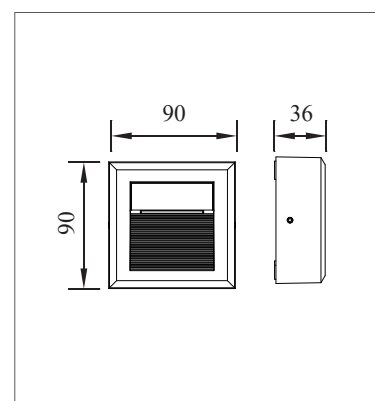
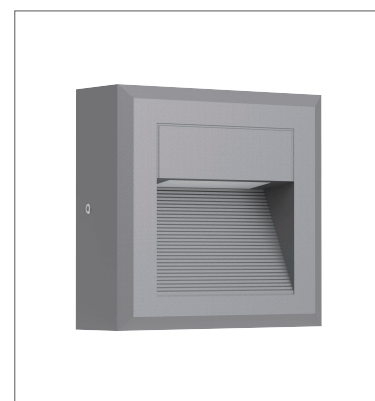


SPECIFICATION



Product model	NC-003869	
Product Size (mm)	90*90*36	
Product description	Body material	Die Casting Aluminum
	Optical cover material	/
	Surface finish	Pure polyester powder coating
	Safety	CLASS I
	Protection Grade	IP65
	Impact Strength(IK)	IK08
	UV-Resistant	F1
	Net Weight	/
	Rated Power	3 W
	LED Module Rated Power	1W*2
	Input Voltage	100-277V ~
	Frequency Range	50/60 Hz
	Luminaire luminous efficiency(EFF)	19 lm/W
	Imax(cd)	42 cd
	Luminaire Efficiency(LOR%)	20
	Total Flux	55 lm
	Beam angle(At 50% of Imax)	75°
	Energy Efficiency Index(EEI)	0.33
	Colour rendering index(Ra)	≥80
	Colour Temperature(CCT)	3000K
SCDM	≤5	
Surge transient protection	/	
Working temperature	-30°C ~ +45°C	
LED Chip	LED Brand	OSRAM
	LED Model No.	3030
	LED Nominal Flux(lm)	120 lm
	LED Quantity	2
Driver	Life Span	50000 Hrs
	STOCK NUMBER	L-QD-XJ055
	Driver Brand	NC
	Driver Output	3-9VDC
	Driver Efficiency	≥57%
	Power Factor	≥0.40
	THD	/
	Ripple current	≤30%
Certification	CE, CCC, CB, SAA, BIS	