

Help line +44 1420 82377

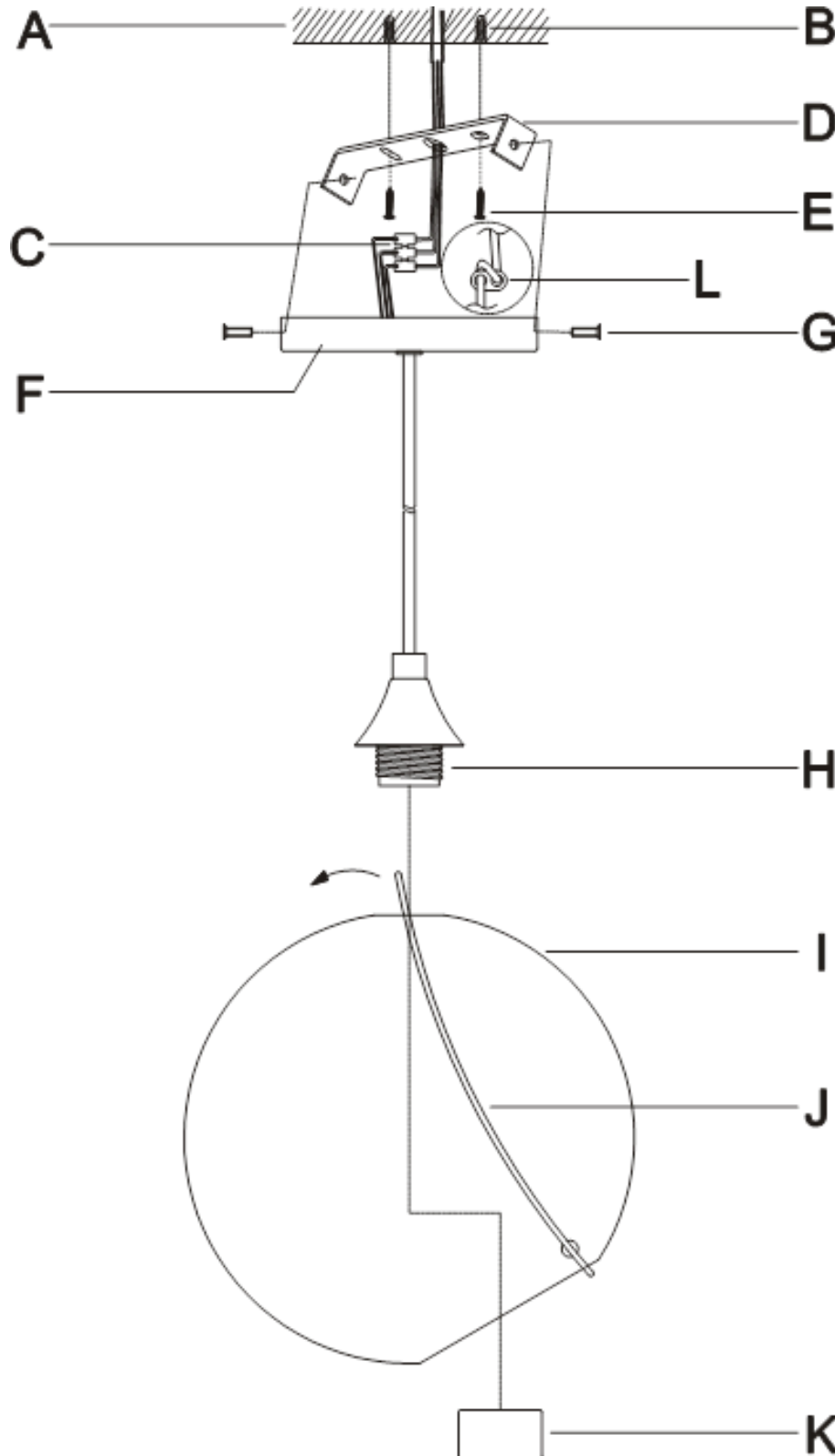
IT IS RECOMMENDED THAT LIGHTS ARE INSTALLED BY A QUALIFIED ELECTRICIAN



Please read the instructions carefully before starting work and retain for future reference. Always turn off the mains supply at the consumer unit, shut off the Circuit breaker or remove the circuit fuse before commencing installation.

WARNING:

This fixture should only be installed by a qualified electrician.




1. Position the mounting bracket (D) centrally under the ceiling (A) and mark through the fixing holes onto the ceiling (A). Check that there are no hidden cables at these positions and drill holes for anchors (B) into the ceiling (A).
2. Insert anchors (B) into holes in the ceiling (A).
3. Align the fixing holes in the mounting bracket (D) with the holes, and secure the mounting bracket (D) with screws (E).
4. Adjust to the desired height of lamp body cable, then use strain relief (L) to prevent pulling at the outlet of lamp body.
5. Take out 2pcs silicon tube from hardware bag and put over individually the Brown and Blue wire
6. Connect the Brown wire to the mark "L", Blue wire to the mark "N" and Green Yellow wire to mark on the terminal block (C).
7. Make electrical connections in the terminal block (C) as follows: (reference next page-only this step)
8. **If there is more than one supply cable present, seek professional advice.**
9. Check that the terminal screws are tightened securely and that there are no stray wires.
10. Raise canopy (F) to mounting bracket (D) and secure with screws (G).
11. Slip decorative hoop (J) onto glass (I). First slip the hooks into the large hole in glass (I) and then slide ring over top of glass (I). Making sure small hole in glass is on top.
12. Raise the glass (I) over the socket (H) and secure with the retaining ring (K).
13. Install light bulb (not provided).
14. **Do not exceed the maximum wattage recommended on lamp holder.**

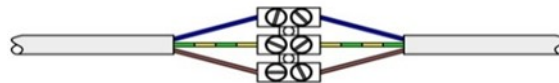
Before starting the electrical work or connecting your light you will need to switch off your power supply at the fuse box (consumer unit). Either the miniature circuit breaker (MCB) can be turned off for the circuit for your light and applying **RED** insulating tape over the MCB to prevent it from being accidentally turned on. Or the main switch can be turned off, the circuit fuse removed, and the main switch turned on again to restore power to the rest of the house.

GREEN/YELLOW	Earth	
BROWN	Live	
BLUE	Neutral	
BLUE with brown sleeving	Switch wire with sleeving	

Live wires can also sometimes be signified by a RED wire 

Neutral wires and also sometimes be signified by a white or black wire 

CLASS I Luminaires (Earthed) - Connect the brown wire from the luminaire to the supply live wire (red or brown). Connect the blue wire to the supply neutral wire (black or blue). Connect the green/yellow wire to the supply earth wire (green/yellow) or connect the supply earth to the luminaire earth terminal marked: 



CLASS II Luminaires (Not earthed) - These luminaires are double insulated and have the symbol: 

These fittings do not have to be connected to the supply earth. Make sure that the basic insulation of the supply wiring cannot contact touchable metal. Connect the brown wire from the luminaire to the supply live wire (red or brown). Connect the blue wire to the supply neutral wire (black or blue). Isolate the supply earth wire.

If silicone sleeving is provided, fit over the supply cable up to the terminal block or lamp holder, to at least the mounting surface, to protect cable from heat.

