

Cambridge Flush Mount



Stock Code: HK/CAMBRIDGE/F/A

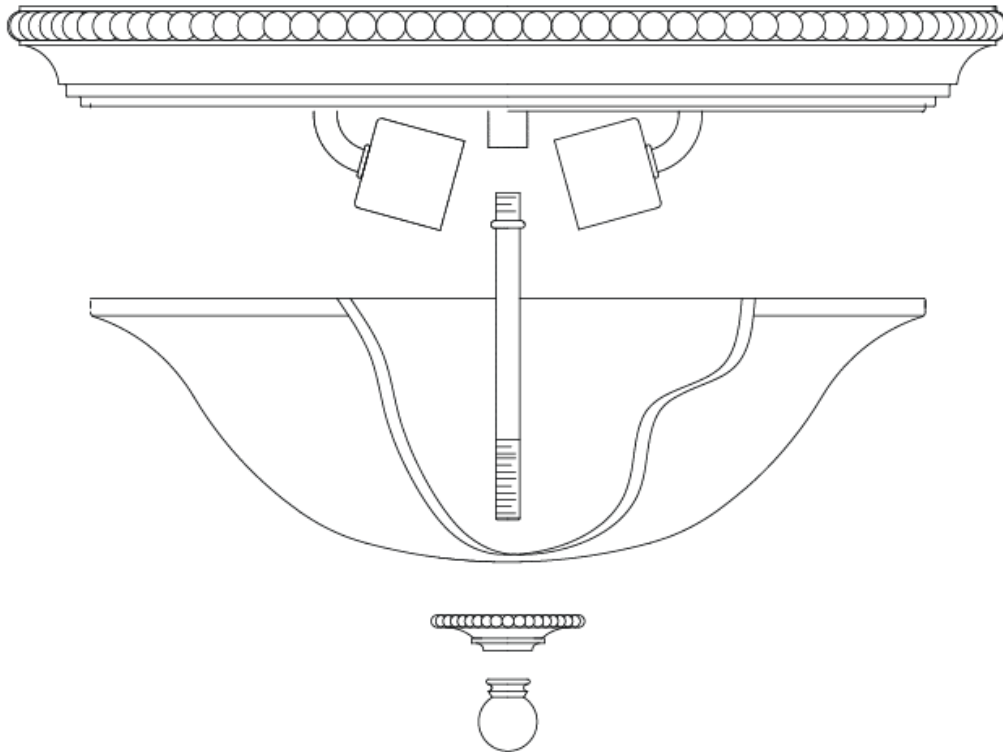
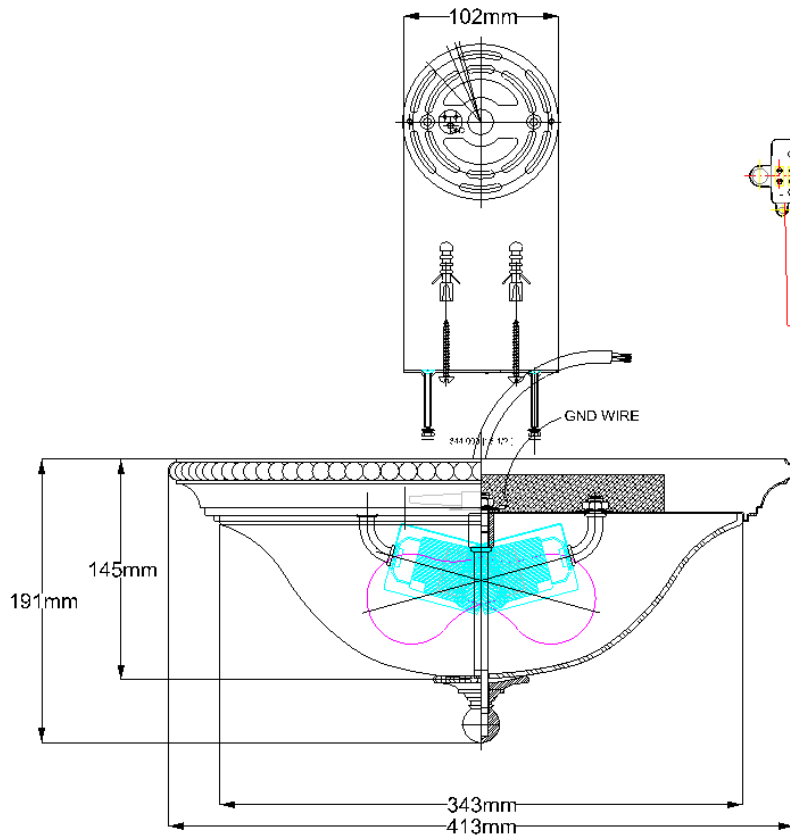
Flush Mount


Product Description


Made of solid brass, Cambridge offers classic New England appeal. The solid cast components, brass turnings, beaded ball fonts and clear optic glass reinforce its timeless style. Available in a Burnished Brass finish.


Product Attributes


- Weight: 4.4 kg
- Fitting Height: 191mm
- Width/Diameter: 413mm
- Finish: Burnished Brass
- Build Materials: Metal, Glass
- Max Wattage: 2 x 60W E27
- Voltage: 220-240v 50hz
- Number of lamps: Two
- Bulb Included: No
- Class I/II: Class I
- Product Type: Ceiling Flush
- Box Dimensions: 45.5x45x24cm
- Barcode: EAN 5024005248910
- Family: Cambridge




 This luminaire is compatible with bulbs of the energy classes:







 **Elstead** LIGHTING | HK/CAMBRIDGE/F/A

874/2012