

Bingham 3lt Medium Wall Lantern

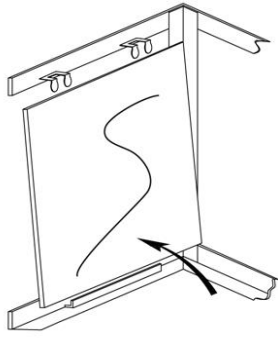


Stock Code: HK/BINGHAM/M

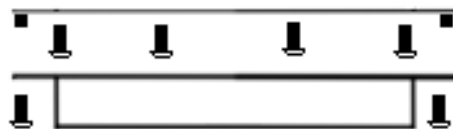
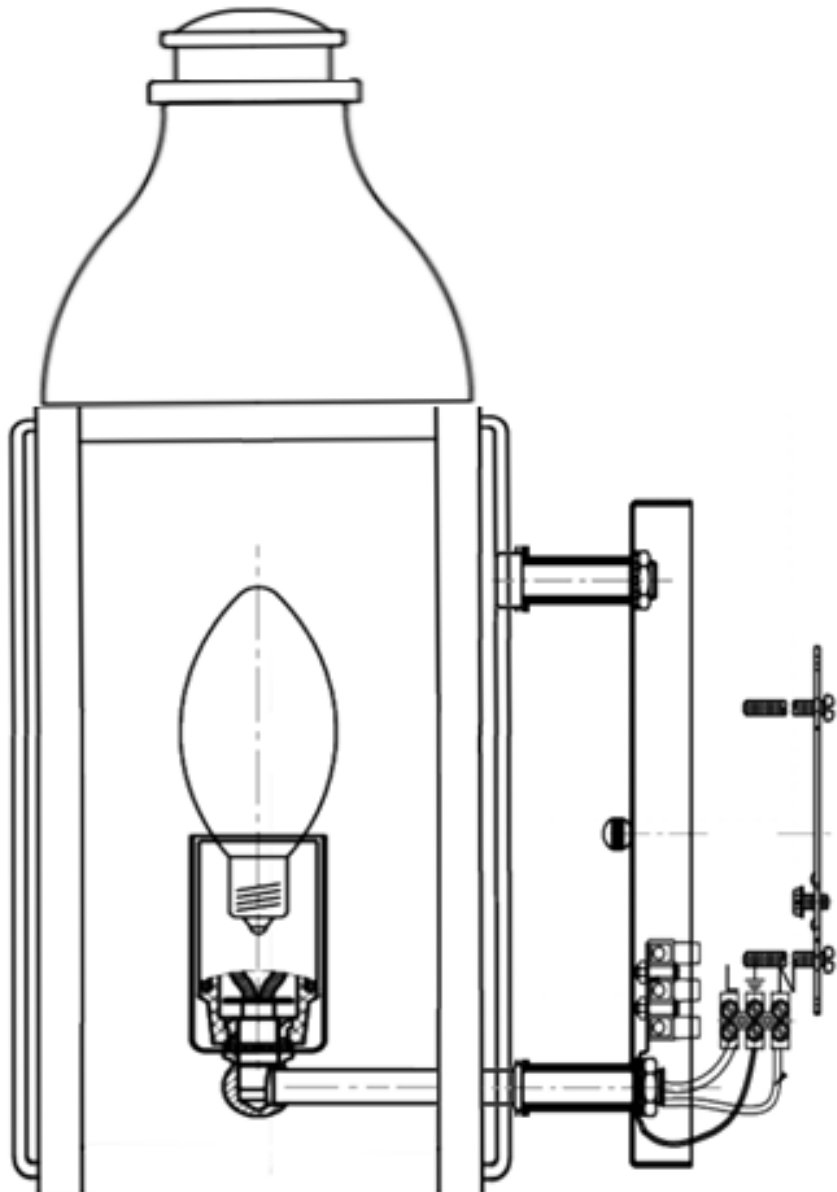
Three Light Medium Wall Lantern

Product Attributes

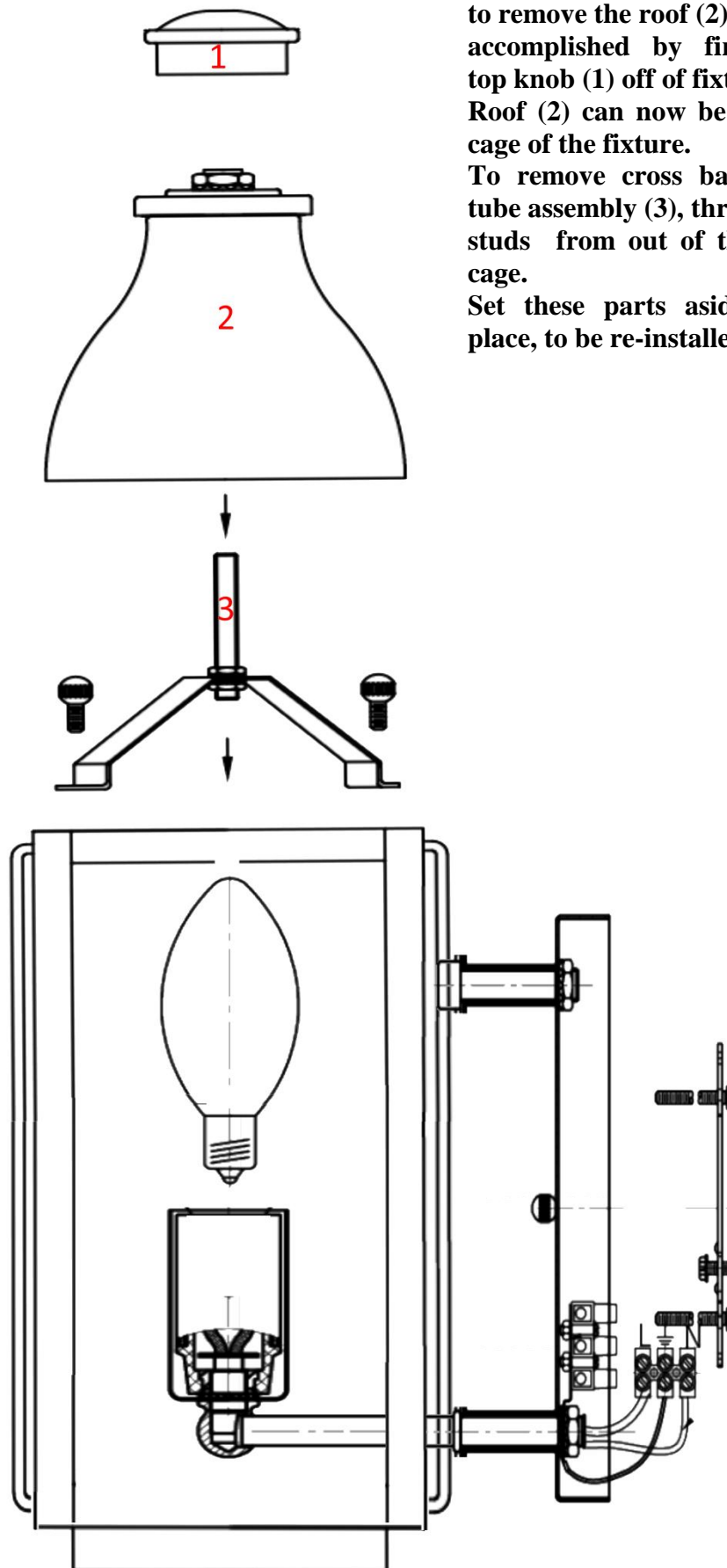
- Weight: 3.2 kg
- Fitting Height: 406mm
- Width/Diameter: 152mm
- Projection: 203mm
- Finish: Sienna
- Build Materials: Solid Brass
- Max Wattage: 3 x 60W E14
- Voltage: 220-240v 50hz
- Number of lamps: Three
- Bulb Included: No
- IP Rating: IP44
- Class I/II: Class I
- Product Type: Wall Lantern
- Box Dimensions: 49x34x23cm
- Barcode: EAN 5024005361701
- Anti-corrosion guarantee: Limited Lifetime
- Family: Bingham



GLASS PANEL X 3



To install glass panels undo screw at the bottom of the cage, slip either the left or right glass panel up through the open bottom of the cage. Slip glass panel into channel in top of cage tilt top of panel into position. Repeat procedure for front glass panel and lastly the left or right glass panel.



To change the bulb, it is necessary to remove the roof (2) first. This is accomplished by first threading top knob (1) off of fixture.

Roof (2) can now be lifted off the cage of the fixture.

To remove cross bar and centre tube assembly (3), thread ball knob studs from out of the top of the cage.

Set these parts aside, in a safe place, to be re-installed later.